

DEPARTMENT OF MECHANICAL ENGINEERING

VIBRANT

An Annual Magazine of Mechons...

VOLUME 1

2017-2018

**MANAKULA VINAYAGAR INSTITUTE OF
TECHNOLOGY**

Kalitheerthalkuppam, Puducherry – 605 107

VISION:

“The Mechanical Engineering Department aspires to be acclaimed globally for renowned education and research to accelerate well qualified engineers who are creative, entrepreneurial and flourishing in advanced fields of engineering and research.”.

MISSION:

Higher Order Thinking: *To assure quality education to the students and broaden their profession to make them globally competent Mechanical Engineers.*

Continuous learning: *Nurturing vital state of art, research facility to provide students and faculty with outstanding opportunities to discover, illustrate, implement and disseminate wisdom.*

Competency: *To develop alliance with world class R&D organizations and Educational Institutions in India and overseas for teaching, research and consultancy services.*

Entrepreneurship: *To provide the students with academic environment of excellence, leadership and ethical guidelines needed for lifelong prospective career.*

ABOUT THE DEPARTMENT

Undergraduate education (UG) course B.Tech in Mechanical Engineering is a comprehensive degree program. The goal of the Mechanical Engineering curriculum is to create a flexible undergraduate educational experience in Design, Mathematics, Modeling, computation, Quality management, Engineering science & humanities.

The Department of Mechanical Engineering has been continuously striving to make progress in Teaching and Research. The Department was started with an intake (UG) of 60 students in 2012 and 120 students from 2015. The Mechanical Department is well equipped with excellent laboratories to make the students to easily understand and study the latest research areas such as computational fluid dynamics, Mechanics of Robot, Aerospace and Defense field, etc and also has separate Department library houses best books in the technical field this vast reservoir of knowledge is a source of constant value addition to the students and faculty members the library's rich in manufacturing, design, metallurgy, drawing and materials science. To enhance the Technical Skills of the students, the Department also organizes various program such Value-added course, Quiz completion, Seminars, Workshops, Industrial visit and Guest lecturers which would make them globally competitive as well as students become an indispensable Engineer and earn the income they deserve.

GOALS AND STRATEGIES

- a. Ensuring the preeminence of learning.
- b. Providing high quality programs that meet the evolving needs of our students, community and sector.
- c. Ensuring scholarly and creative activity.
- d. Making collaboration integral to our core sectors.
- e. Creating an environment where all students have the opportunity to succeed.
- f. Expanding connections and partnerships with our

Design Competition

We use products which are designed by our engineers. The products we use in our daily life are designed and executed before they reach us.

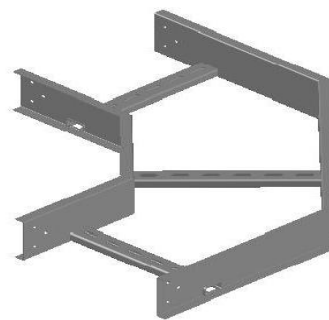
So now we conducted a AutoCAD design competition in our mechanical department, in this our friend **Mr. ARAVIND.A.R** from 3rd year won the first place and **Mr. KARTHIK RAJ.A** from 3rd year won second place and they both awarded and appreciated by presenting a pen drive to them. Here are their designs, In this design competition they allow to present a quick and finished design of a isometric objects by this Creativity is allowing our self to make mistakes. Design knows which ones to keep. It motivate us to design more and learn more.

Few words from the winner,

"hi friends I am ARAVIND.A.R from 3rd b-sec ,well in early periods when I joined my department I have no idea about designing but my faculties support and motivate me to learn to design and my seniors garnish me in designing it was a wonderful occasion were I was awarded with a pen drive and like my seniors I also encourage my juniors and support them in every activities thank you....."



Mr. ARAVIND.A.R



Mr. KARTHIK RAJ.A

Appreciation is a wonderful thing. It makes what is excellent in others belong to us as well.

Articles

Democratic India

The term democracy is derived from the Greek: δημοκρατία *dēmokratía*, literally "rule by people"). The term "democracy" first appeared in ancient Greek political and philosophical thought in the city-state of Athens during classical antiquity. The word comes from *demos*, "common people" and *kratos*, strength. India is one of the developing countries in the world. Though it is developing country in economics and infrastructure but our country was already developed in democracy. Democracy is a system of government that allows the citizens to cast vote and elect a government of their choice. India became a democratic state after its independence from the British rule in 1947. It is the largest democratic nation in the world. Democracy in India gives its citizens the right to vote irrespective of their caste, colour, creed, religion and gender. It has five democratic principles – sovereign, socialist, secular, democratic and republic. Various political parties stand for elections at the state as well as national level periodically. They propagate about the tasks accomplished in their previous tenure and

also share their future plans with the people. Every citizen of India, above the age of 18 years, has the right to vote. The government is making continuous efforts to encourage more and more people to cast their vote. People must know everything about the candidates standing for the elections and vote for the most deserving one for good governance. Recently the government also introduced NOTA scheme in order to motivate all the citizens of India to cast their votes and to achieve 100% votes in the entire constituency. India is known to have a successful democratic system. However, there are certain loopholes that need to be worked on. Among other things, the government must work on eliminating poverty, illiteracy, communalism, gender discrimination and casteism in order to ensure democracy in true sense. By eradicating the poverty, promote literacy, encourage people to vote, etc. Though democracy in India has been appreciated worldwide for its working there is still a lot of scope for improvement. The aforementioned steps must be taken to ensure smooth functioning of democracy in the country.

“Where you see wrong or inequality or injustice, speak out, because this is your country. This is your democracy. Make it. Protect it. Pass it on.”—Thurgood Marshall

This is the article written and expressed by Mohammed Yusuf J III year Mechanical engineering and he showcased his expression through his words.

Drawing Competition

Life is the Art of Drawing sufficient conclusions from insufficient premises.

My Attitude towards drawing is not necessarily about drawing. It's about making the best kind of image I can make. It's about talking as clearly as I can. Drawing a good picture is like telling a really good lie- the key is the incidental detail.

We have conducted a drawing competition in our department of mechanical engineering the winners of the competition are,

Mr.M.Karthik – 1st prize

Mr.P.Vijay – 2nd place

They responded to the competition's themes of "TREE PLANTATION AND SOLAR ENERGY" by creating something that reflects the life of a community under construction, in all senses.

A FEW WORDS FROM THE WINNERS

"Hi guys we are M. Karthik and P. Vijay from the mechanical department we are also one of them and passionate about drawing and paintings that sometimes we don't even know what we were drawing but we draw. We were very fond of drawing classes in our school days. Those were the days when we used to draw some stuff on the last page of our notebooks while the teacher was teaching some other subject. For us, Drawing and Painting is something that we can't live without."



M. KARTHIK



P. VIJAY

SPORTS MEET (2016-2017)

Sports teaches you character, it teaches you to play by the rules, it teaches you to know what it feels like to win and lose-it teaches you about life.

The selection of best sportsperson is done from the students playing well the schools or state level. Now the condition of sports in India has become changed and it has become the good field to get popularity and success. It is not separate from the education and it is not necessary that if one is playing good sports he does not need good education or if one is going good in education he should not involve in the sports. Education and sports are two sides of the same coin means success. Playing sports in the schools by the students has been made compulsory; teachers and parents should promote the children on their own level to play the game for their growth and development as well as make future of the country.

Mr. T. Devarajan of 2nd year has participated inter collegiate league in Foot ball on 07/11/2017 to 18/12/2017 hosted by Manakula Vinayagar Institute of Technology.

Mr. S. Aakash of 2nd year has participated in inter college league in cricket on 14/02/2018 to 18/02/2018 hosted by Pondicherry University.

Mr. S. Vignesh of 2nd year has participated in inter college league in cricket on 14/02/2018 to 18/02/2018 hosted by Pondicherry University.

Mr. S. Govidhan and Mr. K. Siva of 2nd year has participated in inter college league in

chess on 20/03/2018 hosted by Shri Manakula Vinayagar Engineering College.

Mr.Ashwin.S has participated in the inter college level football tournament held on 29/03/18 and won

Mr.Mugesh.M has participated in the inter college level football tournament held on 29/03/18 and won

Mr.Deepesh.M has participated in a cricket tournament held in our college on 20/2/158and won

Sports do not build character, they revealed it.

“Winners never quit and quitters never win.”

FEW WORDS FROM THE WINNERS

“We have been working hard for this tournament, practicing for days, we are glorified that we made our institution and our parents proud, and we will work harder to succeed in the upcoming event’s which we are selected “





This is the wonderful occasion where our friend was awarded for their performance in football championship

ABOUT VIBRANT

VIBRANT IS A YEARLY MAGAZINE COMPILED AND PUBLISHED AMONG STUDENTS BY THE STUDENTS COMMUNITY IN **MANAKULA VINAYAGAR INSTITUTE OF TECHNOLOGY** FROM THE **DEPARTMENT OF MECHANICAL ENGINEERING**. STUDENTS FROM ALL THE YEARS CAN INDULGE IN INNOVATIVE AND INTERESTED TOPIC RELATED EITHER ENGINEERING RELATED TRENDS OR IN NON TECHNICAL RELATED TOPICS.

STUDENTS CAN EXPRESS THEIR OWN CONFESSION OR ANY OTHER IDEAS THEY CAN GIVE FOR THE DEVELOPMENT OF MECHANICAL ENGINEERING DEPARTMENT AND THE INSTITUTION.

STUDENTS EXTRACURRICULAR AND ALL OTHER STUFFS THAT THEY WERE REALLY INTERESTED AND WANT TO DEVELOP CAN INDULGE IN THIS MAGAZINE AND SHOW CASE THEIR TALENT.

Chief Editors

K.SRINIVASAN

A.MARTIN

M.DHASAN

Associate Editors

RAAJAN. V. V

AGILAN.G

ARAVIND A.R

AAKASH .S

KRISHNA KUMAR.K

DEVARAJAN .J

Contact us

Manakula Vinayagar Institute of
Technology

Kalitheerthalkuppam, Puducherry – 605 107

Phone : 0413-2643007

Fax : 2643008, 2643014

Website: www.mvit.edu.in